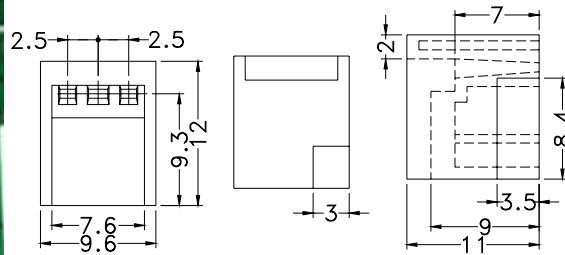
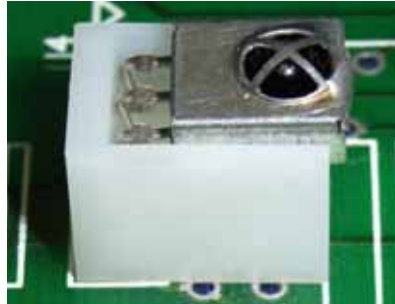
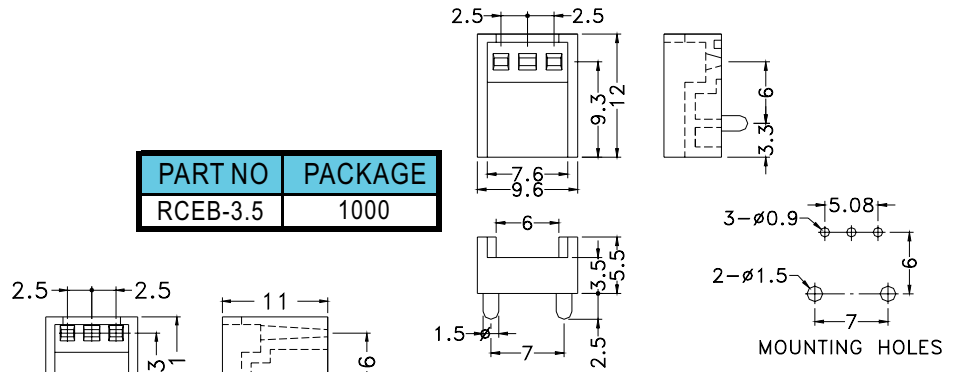
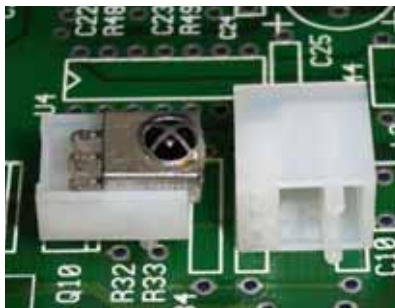


- ◆ MATERIAL: NYLON 66(UL)
- ◆ FLAME CLASS :94V-2
- ◆ COLOR:NATURAL
- ◆ UNIT:mm

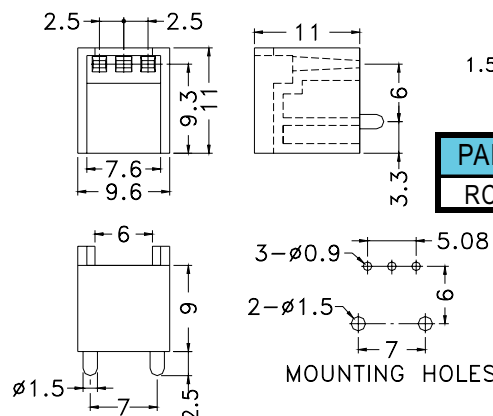
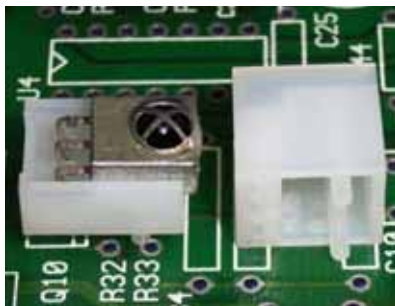
PART NO	PACKAGE
RCEA-4	1000



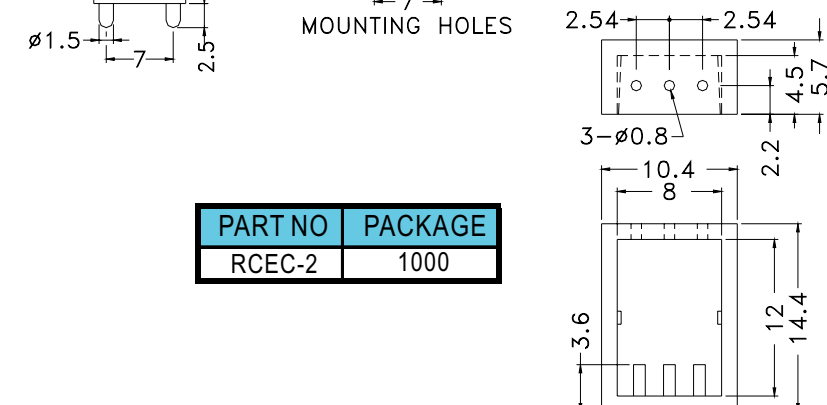
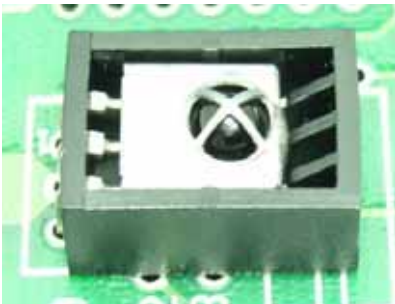
PART NO	PACKAGE
RCEA-9	1000



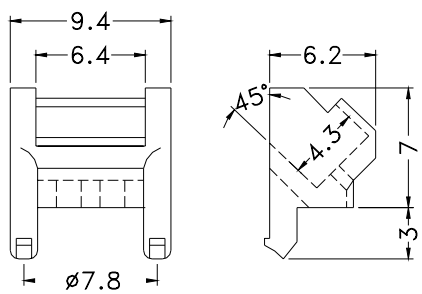
PART NO	PACKAGE
RCEB-3.5	1000



PART NO	PACKAGE
RCEB-9	1000



PART NO	PACKAGE
RCEC-2	1000



PART NO	PACKAGE
RECD-1	1000